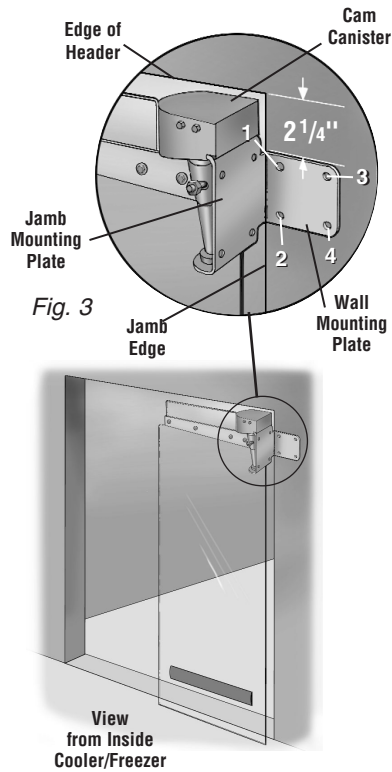


#2. INSIDE SURFACE MOUNTING

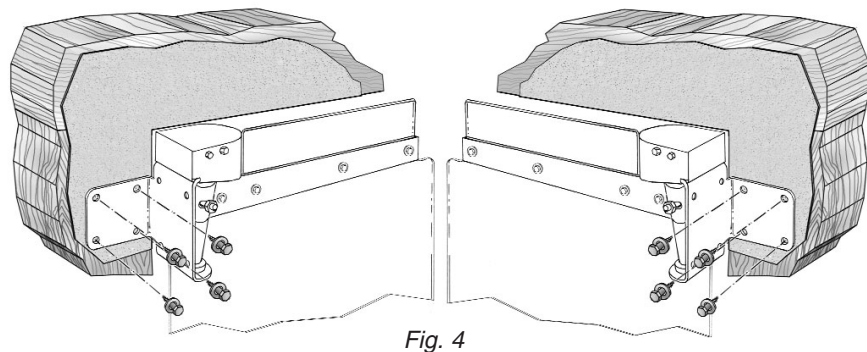
CAUTION: Make sure that the door jamb is strong enough to support the weight and force of the door. If questionable, check with cooler/freezer manufacturer.

NOTE: There is a Left and Right Door Panel.
See illustrations below for hardware orientation.



We recommend that 2 people install the Polar-Pro Swinging Door.

1. Place the proper panel on the inside wall of the cooler/freezer so the wall mounting plate is flush against the wall, the plate bend is aligned with the jamb edge and the top edge of the wall mounting plate is 2 1/4" below the top edge of the header. **Note:** The door must be square (See Fig. 3)
2. Mark the 4 mounting holes and remove the panel. Drill a 5/32" hole at each marking.
3. Replace the panel and tightly secure the panel with supplied #14 x 1 1/2" screws with washers. (See Fig. 4)
Note: Wall anchors might be needed (not included).
4. Repeat this process with the other panel.



POLAR-PRO™ GH

SWINGING DOORS

INSTALLATION INSTRUCTIONS



BRACKET SIZE:

17" 23" 29"

MOUNTING:

#1 In-Jamb
 #2 Inside Surface

OPTIONS:

Impact Plates

Date of Purchase:

Curtron Products
a division of TMI, LLC

800-833-5005

Curtron Products • 5350 Campbells Run Road • Pittsburgh, PA 15205-9738 • 412.787.9750
Fax: 412.787.3665 • Web Site: www.curtronproducts.com • E-Mail: info@curtronproducts.com

Thank you for choosing a Curtron quality product.

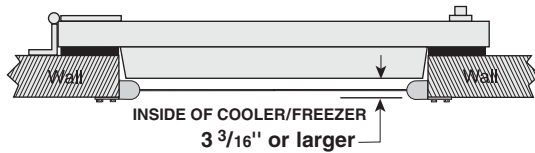
Your POLAR-PRO™ Swinging Door was manufactured to your specific cooler or freezer doorway width and height. Although installation is not complicated, you will need a helper.

Do not use nails to attach the door panel brackets. Eight (8) #14 x 1 1/4" screws are included.

CHECK YOUR ORDER

The thickness of your door jamb and the door configuration will determine which mounting method to use. While standing inside the cooler or freezer, measure from the back of the closed door to the inside wall surface. (See drawings below.)

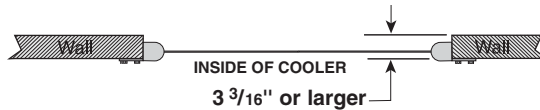
#1 for IN-JAMB MOUNT (Optimum Sealing Method) when door is not flush with inside wall



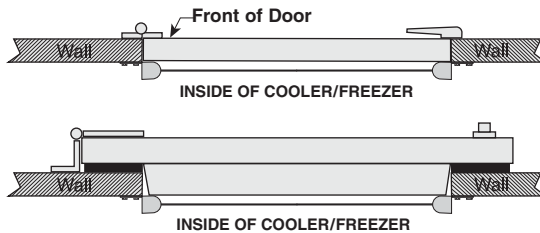
Polar-Pro Panels are attached to the door jambs. For Mounting Instructions, see page 4.

. . . or door has been removed

Recommended for Non-Freezer/Cooler ONLY



#2 for INSIDE SURFACE MOUNT when door is flush with inside wall



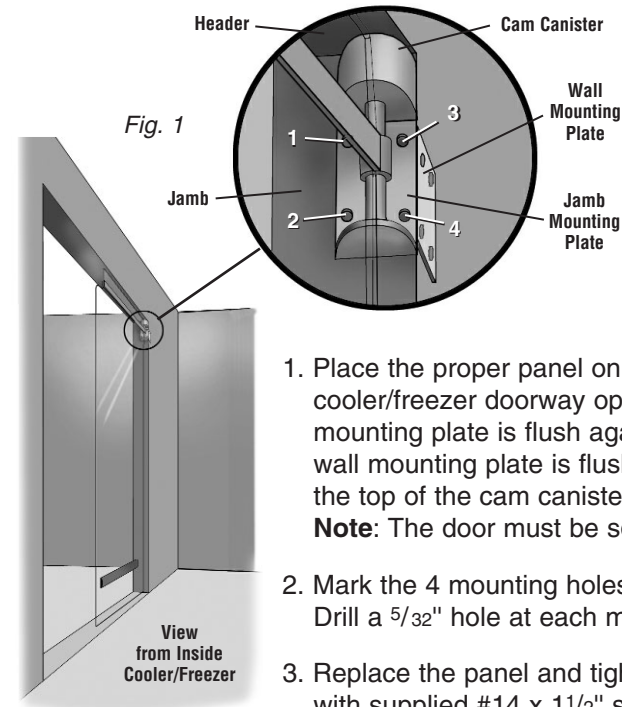
Polar-Pro Panels are attached to the inside wall surface. For Mounting Instructions, see page 3.

#1. IN-JAMB MOUNTING

CAUTION: Make sure that the door jamb is strong enough to support the weight and force of the door. If questionable, check with cooler/freezer manufacturer.

Note: Wall anchors might be needed (not included).

NOTE: There is a Left and Right Door Panel.
See illustrations below for hardware orientation.



We recommend that 2 people install the Polar-Pro Swinging Door.

1. Place the proper panel on the inside edge of the cooler/freezer doorway opening so the jamb mounting plate is flush against the door jamb, the wall mounting plate is flush against the wall and the top of the cam canister is touching the header. **Note:** The door must be square (See Fig. 1)
2. Mark the 4 mounting holes and remove the panel. Drill a 5/32" hole at each marking.
3. Replace the panel and tightly secure the panel with supplied #14 x 1 1/2" screws with washers. (See Fig. 2)
4. Repeat this process with the other panel.



Fig. 2