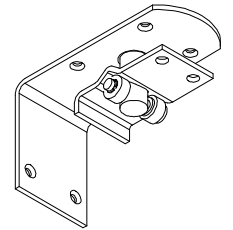


1

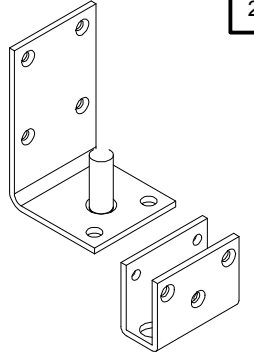


UPPER HINGE & BEARING PLATE ASSEMBLY KIT

- SS KIT#: K0196
- 140-445 Bagged Fasteners
- 150-118SS Top Pin Assembly
- 100-50SS Bearing Plate
- 170-58 Axle
- 170-60 Roller (2)
- 170-28 Klipring

QTY: _____

2

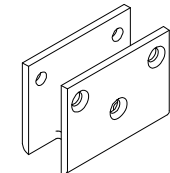


LOWER HINGE ASSEMBLY KIT

- SS KIT#: K0157
- 150-47SS Bottom Pin Assembly
- 100-608SS Bottom Leaf
- 140-446 Bagged Fasteners
- 170-02053 Lock Nut (3)
- 170-02219 Screw (3)

QTY: _____

2

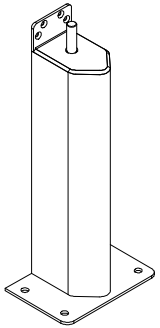


NOTCHED BOTTOM LEAF FOR USE W/ 3" JAMB GUARD KIT

- RH KIT#: K0204
- 100-6050 RH Bottom Leaf
- 170-02053 Lock Nut (3)
- 170-02196 Screw (3)
- LH KIT#: K0205
- 100-6051 LH Bottom Leaf
- 170-02053 Lock Nut (3)
- 170-02196 Screw (3)

QTY: _____

2



3" X 9" JAMB GUARD W/ 5/8" PIN

- SS KIT# : K0202
- 150-80SS Jamb Guard
- 170-02992 Anchor Bolts (2)
- 140-447 Bagged Fasteners

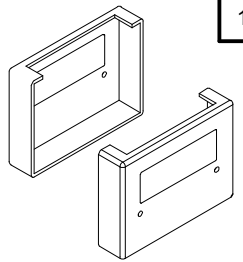
QTY: _____

5" X 18" JAMB GUARD W/ 5/8" PIN

- SS KIT#: K0203
- 150-81SS Jamb Guard
- 170-02992 Anchor Bolts (4)
- 140-447 Bagged Fasteners

QTY: _____

1



REPLACEMENT HINGE COVER KIT

- SS KIT#: K0152
- 100-1105SS-3 Cover (2)
- 140-439 Bagged Cover Screws

QTY: _____

1

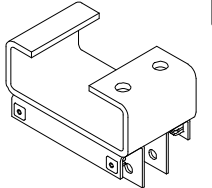


HINGE ROLLER REPLACEMENT ASSEMBLY KIT

- KIT#: K0136
- 170-58 Axle
- 170-60 Roller (2)
- 170-28 Klipring

QTY: _____

1



TOP POD ASSEMBLY

- SS KIT#: K0240
- 150-113SS Pod Assembly
- 170-02053 Lock Nut (3)
- 170-02102 Screw (3)

QTY: _____

**SCP1, 2, 3, 4, 5, 6, 8 KIT
REPLACEMENTS STAINLESS
STEEL HARDWARE**



SCALE: N/A	MATERIAL: N/A			ITEM NUMBER: N/A
REV #: 2	DWG BY: RTM	DATE: 10/21/19	ECN: N/A	