

1

UPPER HINGE & BEARING PLATE ASSEMBLY KIT

- SS KIT#: K0198
- 140-445 Bagged Fasteners
- 150-118SS Top Pin Assembly
- 170-74-8 Top Pin 2.25" Wiper
- 170-74-9 Top Pin 2.5" Wiper
- 100-50SS Bearing Plate
- 170-58 Axle
- 170-60 Roller (2)
- 170-28 Klipring

QTY: _____

2

LOWER HINGE ASSEMBLY KIT

- SS KIT#: K0157
- 150-47SS Bottom Pin Assembly
- 100-608SS Bottom Leaf
- 140-446 Bagged Fasteners
- 170-02053 Lock Nut (3)
- 170-02219 Screw (3)

QTY: _____

2

NOTCHED BOTTOM LEAF FOR USE W/ 3" JAMB GUARD KIT

- RH KIT#: K0204
- 100-6050 RH Bottom Leaf
- 170-02053 Lock Nut (3)
- 170-02196 Screw (3)
- LH KIT#: K0205
- 100-6051 LH Bottom Leaf
- 170-02053 Lock Nut (3)
- 170-02196 Screw (3)

QTY: _____

2

3" X 9" JAMB GUARD W/ 5/8" PIN

- SS KIT# : K0202
- 150-80SS Jamb Guard
- 170-02992 Anchor Bolts (2)
- 140-447 Bagged Fasteners

QTY: _____

5" X 18" JAMB GUARD W/ 5/8" PIN

- SS KIT#: K0203
- 150-81SS Jamb Guard
- 170-02992 Anchor Bolts (4)
- 140-447 Bagged Fasteners

QTY: _____

3

REPLACEMENT GASKET KIT

- KIT#: K0199
- a 170-43 Alcryn Gasket (8')
- b 170-39 Alcryn Gasket (42"x96")
- c 170-03301 Neoprene Gasket

QTY: _____

1

REPLACEMENT HINGE COVER KIT

- SS KIT#: K0152
- 100-1105SS-3 Cover (2)
- 140-439 Bagged Cover Screws

QTY: _____

1

HINGE ROLLER REPLACEMENT ASSEMBLY KIT

- KIT#: K0136
- 170-58 Axle
- 170-60 Roller (2)
- 170-28 Klipring

QTY: _____

1

TOP POD ASSEMBLY

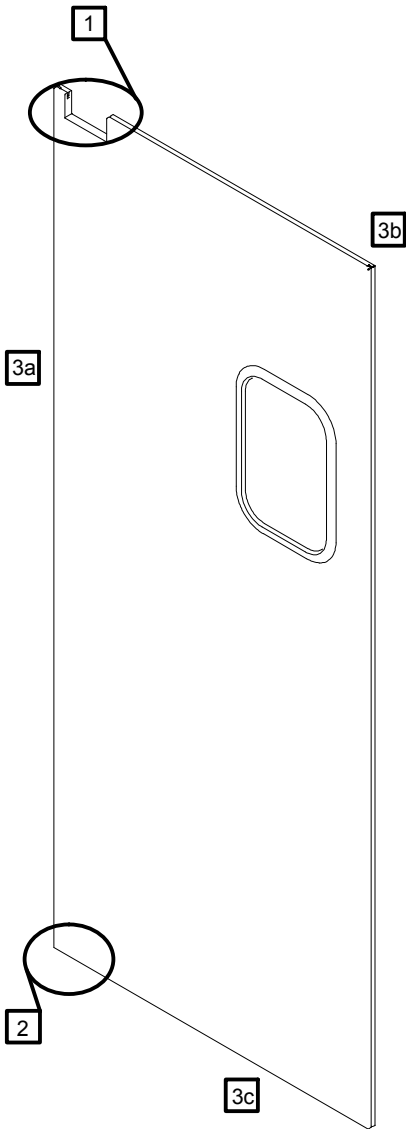
- SS KIT#: K0240
- 150-113SS Pod Assembly
- 170-02053 Lock Nut (3)
- 170-02102 Screw (3)

QTY: _____

**SCG1, 3, 5 KIT
REPLACEMENTS STAINLESS
STEEL HARDWARE**



SCALE: N/A	MATERIAL: N/A			ITEM NUMBER: N/A
REV #: 2	DWG BY: RTM	DATE: 10/21/19	ECN: N/A	



1

UPPER HINGE & BEARING PLATE ASSEMBLY KIT
 ZINC KIT#: K0197
 140-442 Bagged Fasteners
 150-118 Top Pin Assembly
 170-74-8 Top Pin 2.25" Wiper
 170-74-9 Top Pin 2.5" Wiper
 100-50 Bearing Plate
 170-58 Axle
 170-60 Roller (2)
 170-28 Klipring
 QTY: _____

2

LOWER HINGE ASSEMBLY KIT
 ZINC KIT#: K0156
 150-47 Bottom Pin Assembly
 100-608 Bottom Leaf
 140-444 Bagged Fasteners
 170-02053 Lock Nut (3)
 170-02196 Screw (3)
 QTY: _____

2

NOTCHED BOTTOM LEAF FOR USE W/ 3" JAMB GUARD KIT
 RH KIT#: K0204
 100-6050 RH Bottom Leaf
 170-02053 Lock Nut (3)
 170-02196 Screw (3)
 LH KIT#: K0205
 100-6051 LH Bottom Leaf
 170-02053 Lock Nut (3)
 170-02196 Screw (3)
 QTY: _____

2

3" X 9" JAMB GUARD W/ 5/8" PIN
 ZINC KIT#: K0200
 150-76 Jamb Guard
 170-02992 Anchor Bolts (2)
 140-443 Bagged Fasteners
 QTY: _____

5" X 18" JAMB GUARD W/ 5/8" PIN
 ZINC KIT#: K0201
 150-79 Jamb Guard
 170-02992 Anchor Bolts (4)
 140-443 Bagged Fasteners
 QTY: _____

3

REPLACEMENT GASKET KIT
 KIT#: K0199
 a 170-43 Alcryn Gasket (8")
 b 170-39 Alcryn Gasket (42"x96")
 c 170-03301 Neoprene Gasket
 QTY: _____

1

REPLACEMENT HINGE COVER KIT
 SS KIT#: K0152
 100-1105SS-3 Cover (2)
 140-439 Bagged Cover Screws
 QTY: _____

1

HINGE ROLLER REPLACEMENT ASSEMBLY KIT
 KIT#: K0136
 170-58 Axle
 170-60 Roller (2)
 170-28 Klipring
 QTY: _____

1

TOP POD ASSEMBLY
 ZINC KIT#: K0239
 150-113 Pod Assembly
 170-02053 1/4 Lock Nut (3)
 170-02102 1/4 Screw (3)
 170-02054 5/16 Lock Nut (2)
 170-02114 5/16 Screw (2)
 QTY: _____

SCG1, 3, 5 KIT REPLACEMENTS ZINC HARDWARE				
SCALE: N/A	MATERIAL: N/A			ITEM NUMBER: N/A
REV #: 2	DWG BY: RTM	DATE: 10/21/19	ECN: N/A	