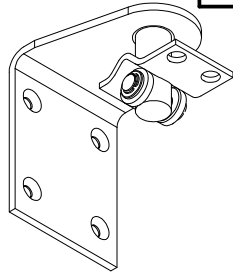


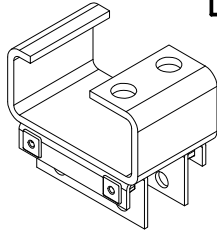
1



UPPER HINGE & BEARING PLATE ASSEMBLY KIT

- ZINC KIT#: K0190
- 150-14-1 Top Pin Assembly
- 140-442 Bagged Fasteners
- QTY: _____

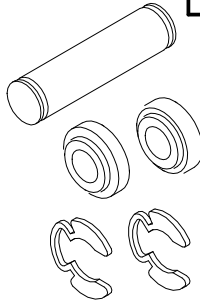
1



TOP POD ASSEMBLY

- KIT#: K0246
- 150-10 Pod Assembly
- 170-02114 5/16 Screw (2)
- 170-02054 5/16 Lock Nut (2)
- 170-02102 1/4 Screw (2)
- 170-02053 1/4 Lock Nut (2)
- QTY: _____

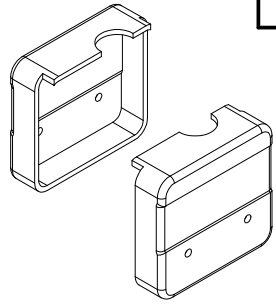
1



HINGE ROLLER REPLACEMENT ASSEMBLY KIT

- KIT#: K0145
- 170-31 Axle
- 170-30 Roller (2)
- 170-28 Klipping (2)
- QTY : _____

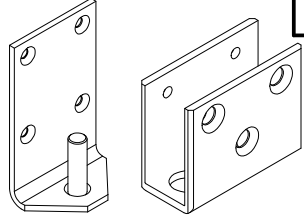
1



REPLACEMENT HINGE COVER KIT

- Abs KIT#: K0160
- 170-18608 LH Cover
- 170-18508 RH Cover
- 140-439 Bagged Fasteners
- 170-04211 Black Label (2)
- QTY: _____

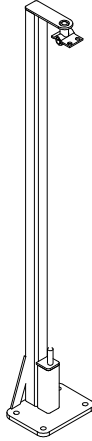
2




LOWER HINGE ASSEMBLY KIT

- KIT# : K0162
- 150-16 Bottom Pin Assembly
- 100-618 Bottom Leaf
- 100-41 Shim Plate (2)
- 140-444 Bagged Fasteners
- 170-02200 Screw (3)
- QTY: _____

3



GATE POST
Replacement gate posts are only available by service order due to custom sizing.

P11 PLUS GATE KIT REPLACEMENTS				
SCALE: N/A	MATERIAL: N/A			ITEM NUMBER: N/A
REV #: 2	DWG BY: RTM	DATE: 10/21/19	ECN: N/A	