

1



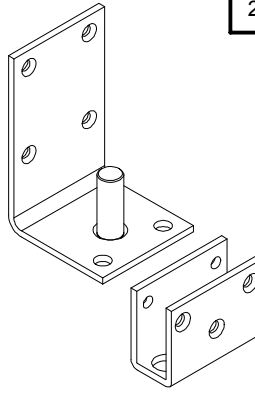
UPPER HINGE & BEARING PLATE ASSEMBLY KIT

□ SS KIT#: K0198

- 140-445 Bagged Fasteners
- 150-118SS Top Pin Assembly
- 170-74-8 Top Pin 2.25" Wiper
- 170-74-9 Top Pin 2.5" Wiper
- 100-50SS Bearing Plate
- 170-58 Axle
- 170-60 Roller (2)
- 170-28 Klipring

QTY: _____

2



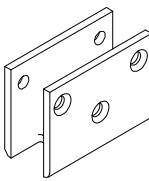
LOWER HINGE ASSEMBLY

□ SS KIT#: K0157

- 150-47SS Bottom Pin Assembly
- 100-608SS Bottom Leaf
- 140-446 Bagged Fasteners
- 170-02053 Lock Nut (3)
- 170-02196 Screw (3)

QTY: _____

2



NOTCHED BOTTOM LEAF FOR USE W/ 3" JAMB GUARD KIT

□ RH KIT#: K0204

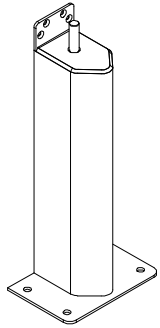
- 100-6050 RH Bottom Leaf
- 170-02053 Lock Nut (3)
- 170-02196 Screw (3)

□ LH KIT#: K0205

- 100-6051 LH Bottom Leaf
- 170-02053 Lock Nut (3)
- 170-02196 Screw (3)

QTY: _____

2



3" X 9" JAMB GUARD W/ 5/8" PIN

□ SS KIT# : K0202

- 150-80SS Jamb Guard
- 170-02992 Anchor Bolts (2)
- 140-447 Bagged Fasteners

QTY: _____

5" X 18" JAMB GUARD W/ 5/8" PIN

□ SS KIT#: K0203

- 150-81SS Jamb Guard
- 170-02992 Anchor Bolts (4)
- 140-447 Bagged Fasteners

QTY: _____

3

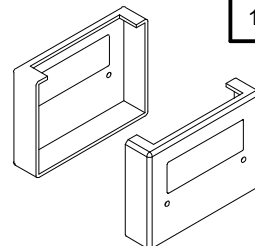
REPLACEMENT GASKET KIT

□ G11 KIT#: K0212

- a □ 170-74-6 Jamb Wiper (86.75")
- b □ 170-39 Alcryn Gasket (42"x96")
- c □ 170-43 Alcryn Gasket (48")

QTY: _____

1



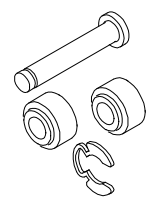
REPLACEMENT HINGE COVER KIT

□ ABS KIT#: K0154

- 170-18208-3 Cover (2)
- 140-439 Bagged Cover Screws

QTY: _____

1



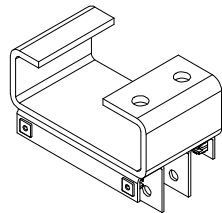
HINGE ROLLER REPLACEMENT ASSEMBLY KIT

□ KIT#: K0136

- 170-58 Axle
- 170-60 Roller (2)
- 170-28 Klipring

QTY: _____

1



TOP POD ASSEMBLY

□ SS KIT#: K0240

- 150-113SS Pod Assembly
- 170-02053 Lock Nut (3)
- 170-02102 Screw (3)

QTY: _____

**P11, G11 KIT REPLACEMENTS
STAINLESS STEEL
HARDWARE**



SCALE: N/A	MATERIAL: N/A			ITEM NUMBER: N/A
REV #: 2	DWG BY: RTM	DATE: 10/18/19	ECN: N/A	