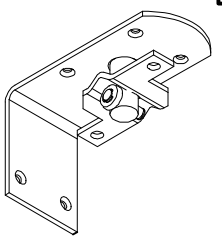


1

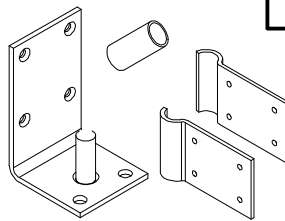


UPPER HINGE & BEARING PLATE ASSEMBLY KIT

- ZINC KIT#: K0141
- 150-118-1 Top Pin Assembly
- 140-442 Bagged Fasteners
- SS KIT#: K0142
- 140-445 Bagged Fasteners
- 150-118SS Top Pin Assembly
- 100-52SS Bearing Plate
- 170-58 Axle
- 170-60 Roller (2)
- 170-28 Klipping

QTY: _____

2

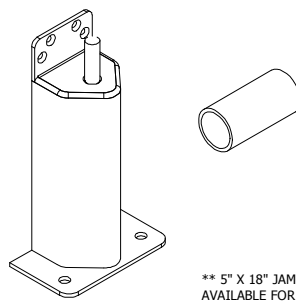


LOWER HINGE ASSEMBLY KIT

- ZINC KIT#: K0143
- 150-47 Bottom Pin Assembly
- 100-596 Bushing
- 140-444 Bagged Fasteners
- 100-878 Bottom Leaf (2)
- 170-02184 Screw (4)
- 170-02052 Lock Nut (4)
- SS KIT#: K0144
- 150-47SS Bottom Pin Assembly
- 100-596 Bushing
- 140-446 Bagged Fasteners
- 100-878SS Bottom Leaf (2)
- 170-02184 Screw (4)
- 170-02052 Lock Nut (4)

QTY: _____

2



3" X 9" JAMB GUARD W/ 5/8" PIN

- ZINC KIT # : K0191
- 150-76 Jamb Guard
- 170-02992 Anchor Bolt (2)
- 140-443 Bagged Fasteners
- 100-596 Bushing
- SS KIT # : K0193
- 150-80SS Jamb Guard
- 170-02992 Anchor Bolt (2)
- 140-447 Bagged Fasteners
- 100-596 Bushing

QTY: _____

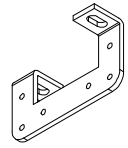
5" X 18" JAMB GUARD W/ 5/8" PIN

- ZINC KIT # : K0192
- 150-79 Jamb Guard
- 170-02992 Anchor Bolts (2)
- 140-443 Bagged Fasteners
- 100-596 Bushing
- SS KIT # : K0194
- 150-81SS Jamb
- 170-02992 Anchor Bolts (2)
- 140-447 Bagged Fasteners
- 100-596 Bushing

QTY: _____

**** 5" X 18" JAMB GUARD NOT AVAILABLE FOR DSP3 ****

1



TOP BRACKET KIT

- ZINC KIT#: K0241
- 100-166 Top Bracket
- 170-02183 Screw (4)
- 170-02052 Lock Nut (4)
- SS KIT#: K0242
- 100-166SS Top Bracket
- 170-2183 Screw (4)
- 170-02052 Lock Nut (4)

QTY: _____

1

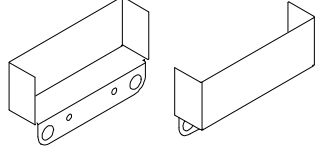


HINGE ROLLER REPLACEMENT ASSEMBLY KIT

- KIT#: K0136
- 170-58 Axle
- 170-60 Roller (2)
- 170-28 Klipping

QTY: _____

1



REPLACEMENT HINGE COVER KIT

- AL KIT#: K0137
- 100-107-3 Cover (2)
- 170-02183 Screw (2)
- 170-02052 Lock Nut (2)
- SS KIT#: K0139
- 100-1107SS-3 Cover (2)
- 170-02183 Screw (2)
- 170-02052 Lock Nut (2)

QTY: _____

**LWP, DSP KIT
REPLACEMENTS ZINC AND
STAINLESS STEEL
HARDWARE**



SCALE: N/A	MATERIAL: N/A			ITEM NUMBER: N/A
REV #: 3	DWG BY: RTM	DATE: 10/17/19	ECN: N/A	