

1



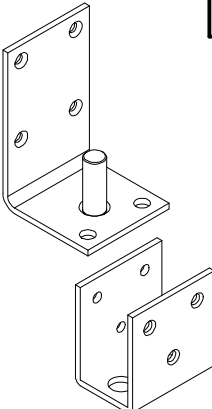
UPPER HINGE & BEARING PLATE ASSEMBLY KIT

□ SS KIT#: K0198

- 140-445 Bagged Fasteners
- 150-118SS Top Pin Assembly
- 170-74-8 Top Pin 2.25" Wiper
- 170-74-9 Top Pin 2.5" Wiper
- 100-50SS Bearing Plate
- 170-58 Axle
- 170-60 Roller (2)
- 170-28 Klipring

QTY: _____

2



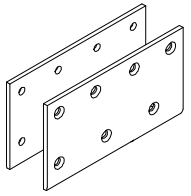
LOWER HINGE ASSEMBLY

□ SS KIT#: K0176

- 150-47SS Bottom Pin Assembly
- 100-607SS Bottom Leaf
- 140-446 Bagged Fasteners
- 170-02053 Lock Nut (3)
- 170-02219 Screw (3)

QTY: _____

2



HEAVY DUTY BOTTOM LEAF

□ RH KIT#: K0213

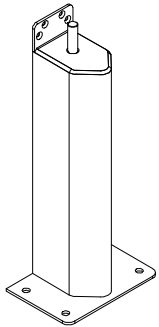
- 100-626 RH Zinc Bottom Leaf
- 170-02053 Lock Nut (7)
- 170-02219 Screw (7)

□ LH KIT#: K0214

- 100-627 LH Zinc Bottom Leaf
- 170-02053 Lock Nut (7)
- 170-02219 Screw (7)

QTY: _____

2



3" X 9" JAMB GUARD W/ 5/8" PIN

□ SS KIT# : K0202

- 150-80SS Jamb Guard
- 170-02992 Anchor Bolts (2)
- 140-447 Bagged Fasteners

QTY: _____

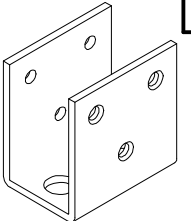
5" X 18" JAMB GUARD W/ 5/8" PIN

□ SS KIT#: K0203

- 150-81SS Jamb Guard
- 170-02992 Anchor Bolts (4)
- 140-447 Bagged Fasteners

QTY: _____

2



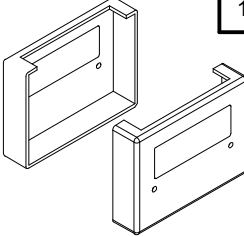
BOTTOM LEAF KIT

□ SS KIT# : K0238

- 100-607SS Bottom Leaf
- 170-02053 Lock Nut (3)
- 170-02219 Screw (3)

QTY: _____

1



REPLACEMENT HINGE COVER KIT

□ SS KIT#: K0152

- 100-1105SS-3 Cover (2)
- 140-439 Bagged Cover Screws

QTY: _____

1



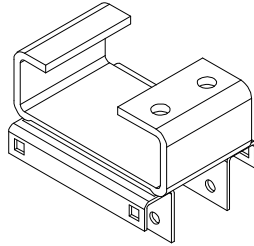
HINGE ROLLER REPLACEMENT ASSEMBLY KIT

□ KIT#: K0136

- 170-58 Axle
- 170-60 Roller (2)
- 170-28 Klipring

QTY: _____

1



TOP POD ASSEMBLY

□ SS KIT#: K0234

- 150-111SS Pod Assembly
- 170-02053 Lock Nut (3)
- 170-02109 Screw (3)

QTY: _____

3

REPLACEMENT GASKET KIT

□ HCG KIT#: K0217

- a □ 170-43 Alcryn Gasket (10')
- b □ 170-40 Alcryn Gasket (4'x10')
- c □ 170-43 Alcryn Gasket (4')

□ HCG KIT#: K0255

- a □ 170-43 Alcryn Gasket (10')
- b □ 170-39 Alcryn Gasket (4'x8')
- c □ 170-43 Alcryn Gasket (4')

QTY: _____

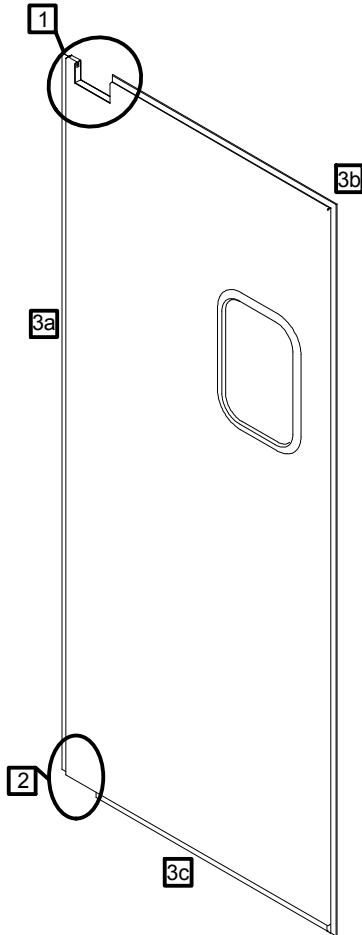
**HCP, HCG KIT
REPLACEMENTS STAINLESS
STEEL HARDWARE**



SCALE: N/A	MATERIAL: N/A		
REV #: 2	DWG BY: RTM	DATE: 10/17/19	ECN: N/A

ITEM NUMBER:

N/A

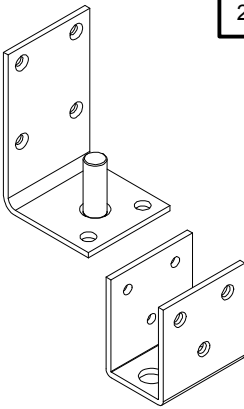


1



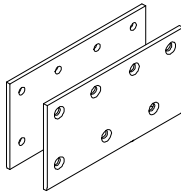
UPPER HINGE & BEARING PLATE ASSEMBLY KIT
 ZINC KIT#: K0197
 140-442 Bagged Fasteners
 150-118 Top Pin Assembly
 170-74-8 Top Pin 2.25" Wiper
 170-74-9 Top Pin 2.5" Wiper
 100-50 Bearing Plate
 170-58 Axle
 170-60 Roller (2)
 170-28 Klipring
 QTY: _____

2



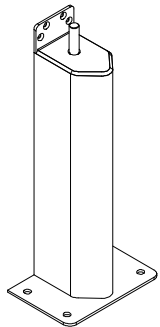
LOWER HINGE ASSEMBLY
 ZINC KIT#: K0175
 150-47 Bottom Pin Assembly
 100-607 Bottom Leaf
 140-444 Bagged Fasteners
 170-02053 Lock Nut (3)
 170-02219 Screw (3)
 QTY: _____

2



HEAVY DUTY BOTTOM LEAF
 RH KIT#: K0213
 100-626 RH Zinc Bottom Leaf
 170-02053 Lock Nut (7)
 170-02219 Screw (7)
 LH KIT#: K0214
 100-627 LH Zinc Bottom Leaf
 170-02053 Lock Nut (7)
 170-02219 Screw (7)
 QTY: _____

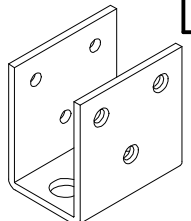
2



3" X 9" JAMB GUARD W/ 5/8" PIN
 ZINC KIT#: K0200
 150-76 Jamb Guard
 170-02992 Anchor Bolts (2)
 140-443 Bagged Fasteners
 QTY: _____

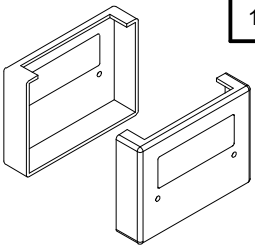
5" X 18" JAMB GUARD W/ 5/8" PIN
 ZINC KIT#: K0201
 150-79 Jamb Guard
 170-02992 Anchor Bolts (4)
 140-443 Bagged Fasteners
 QTY: _____

2



BOTTOM LEAF KIT
 KIT# : K0237
 100-607 Bottom Leaf
 170-02053 Lock Nut (3)
 170-02219 Screw (3)
 QTY: _____

1



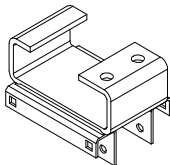
REPLACEMENT HINGE COVER KIT
 ABS KIT#: K0154
 170-18208-3 Cover (2)
 140-439 Bagged Cover Screws
 QTY: _____

1



HINGE ROLLER REPLACEMENT ASSEMBLY KIT
 KIT#: K0136
 170-58 Axle
 170-60 Roller (2)
 170-28 Klipring
 QTY : _____

1



TOP POD ASSEMBLY
 ZINC KIT#: K0233
 150-111 Pod Assembly
 170-02053 Lock Nut (3)
 170-02109 Screw (3)
 QTY: _____

3

REPLACEMENT GASKET KIT
 HCG KIT#: K0217
 a 170-43 Alcryn Gasket (10')
 b 170-40 Alcryn Gasket (4'x10')
 c 170-43 Alcryn Gasket (4')
 HCG KIT#: K0255
 a 170-43 Alcryn Gasket (10')
 b 170-39 Alcryn Gasket (4'x8')
 c 170-43 Alcryn Gasket (4')
 QTY: _____

**HCP, HCG KIT
REPLACEMENTS ZINC
HARDWARE**



SCALE: N/A	MATERIAL: N/A		
REV #: 2	DWG BY: RTM	DATE: 10/16/19	ECN: N/A

ITEM NUMBER:
N/A