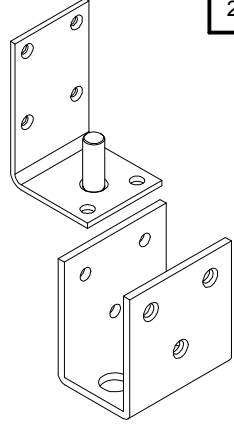


1



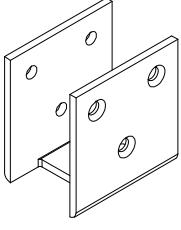
UPPER HINGE & BEARING PLATE ASSEMBLY KIT
 SS KIT#: K0198
 140-445 Bagged Fasteners
 150-118SS Top Pin Assembly
 170-74-8 Top Pin 2.25" Wiper
 170-74-9 Top Pin 2.5" Wiper
 100-50SS Bearing Plate
 170-58 Axle
 170-60 Roller (2)
 170-28 Klipping
 QTY: _____

2



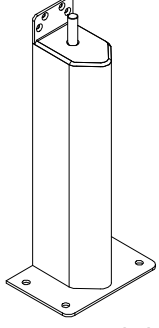
LOWER HINGE ASSEMBLY
 SS KIT#: K0176
 150-47SS Bottom Pin Assembly
 100-607SS Bottom Leaf
 140-446 Bagged Fasteners
 170-02053 Lock Nut (3)
 170-02219 Screw (3)
 QTY: _____

2



NOTCHED BOTTOM LEAF FOR USE W/ 3" JAMB GUARD KIT
 RH KIT#: K0235
 100-6040 RH Bottom Leaf
 170-02053 Lock Nut (3)
 170-02219 Screw (3)
 LH KIT#: K0236
 100-6041 LH Bottom Leaf
 170-02053 Lock Nut (3)
 170-02219 Screw (3)
 QTY: _____

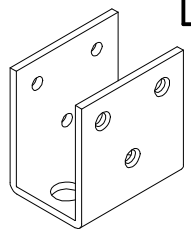
2



3" X 9" JAMB GUARD W/ 5/8" PIN
 SS KIT# : K0202
 150-805S Jamb Guard
 170-02992 Anchor Bolts (2)
 140-447 Bagged Fasteners
 QTY: _____

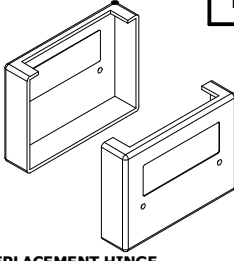
5" X 18" JAMB GUARD W/ 5/8" PIN
 SS KIT#: K0203
 150-815S Jamb Guard
 170-02992 Anchor Bolts (4)
 140-447 Bagged Fasteners
 QTY: _____

2



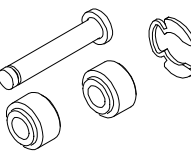
BOTTOM LEAF KIT
 SS KIT# : K0238
 100-607SS Bottom Leaf
 170-02053 Lock Nut (3)
 170-02219 Screw (3)
 QTY: _____

1



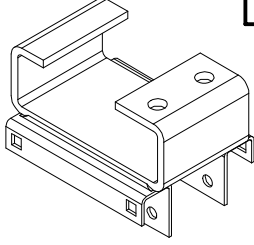
REPLACEMENT HINGE COVER KIT
 SS KIT#: K0152
 100-1105SS-3 Cover (2)
 140-439 Bagged Cover Screws
 QTY: _____

1



HINGE ROLLER REPLACEMENT ASSEMBLY KIT
 KIT#: K0136
 170-58 Axle
 170-60 Roller (2)
 170-28 Klipping
 QTY: _____

1



TOP POD ASSEMBLY
 SS KIT#: K0234
 150-1115S Pod Assembly
 170-02053 Lock Nut (3)
 170-02109 Screw (3)
 QTY: _____

3

REPLACEMENT GASKET KIT
 KIT#: K0199
 a 170-43 Alcryn Gasket (96")
 b 170-39 Alcryn Gasket (42"x96")
 c 170-03301 Neoprene Gasket
 QTY: _____

**FCG1, 3, AND 5 KIT
 REPLACEMENTS STAINLESS
 STEEL HARDWARE**



SCALE: N/A	MATERIAL: N/A			ITEM NUMBER: N/A
REV #: 2	DWG BY: RTM	DATE: 10/14/19	ECN: N/A	