

# SPEC SHEET SCP-CAFÉ (SS)

Quote/Order# \_\_\_\_\_

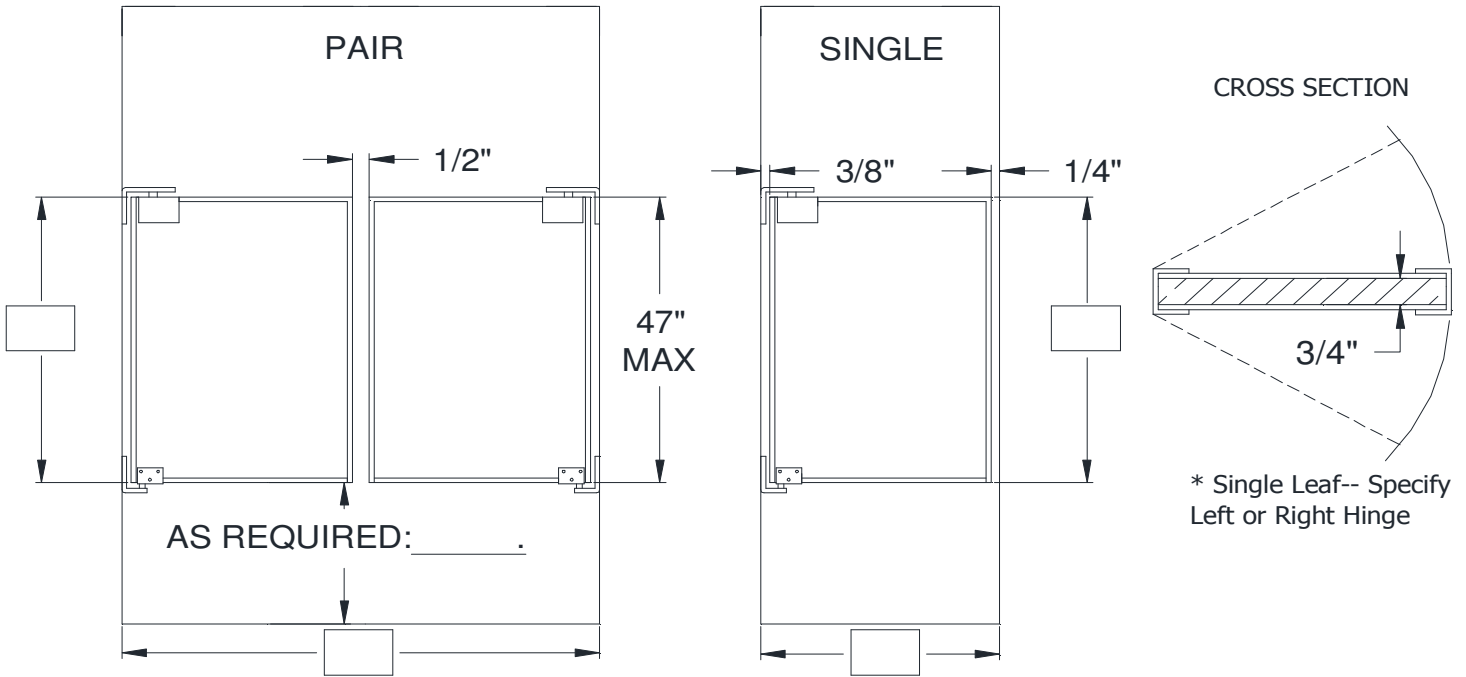
Company Name: \_\_\_\_\_

Attention: \_\_\_\_\_

Email: \_\_\_\_\_

Phone#: \_\_\_\_\_

Job Name: \_\_\_\_\_



**Fill in Opening Size in the Blanks Provided Above**

**STANDARD SPECIFICATIONS:** Door body 3/4" exterior grade solid wood core, metal clad. Full height stainless steel panels, both sides including hinge covers and edge trim. Door assembly includes the original "NO SPRING" Easy Swing® hinges and both 1/4" - 20 x 1" thread cutting screws and #14 -1-1/2" sheet metal/wood screws for jamb by others. (Minimum cafe/gate height is 24")

**INSTALLATION DETAILS:** Jambs must be plumb and square. Minimum double 2 x 4 inch wood construction or equivalent. Hollow metal jambs should be reinforced at hinge locations.

**SPECIFIC DETAILS FOR DOOR CONSTRUCTION:**

DOOR FINISH: [ ] Stainless Steel [ ] Other: \_\_\_\_\_

OTHER SPECIFICATIONS: \_\_\_\_\_

**APPROVED BY:** \_\_\_\_\_

**DATE:** \_\_\_\_\_

**Eliason Corporation**