

SPEC SHEET PMP-GATE

Quote/Order# _____

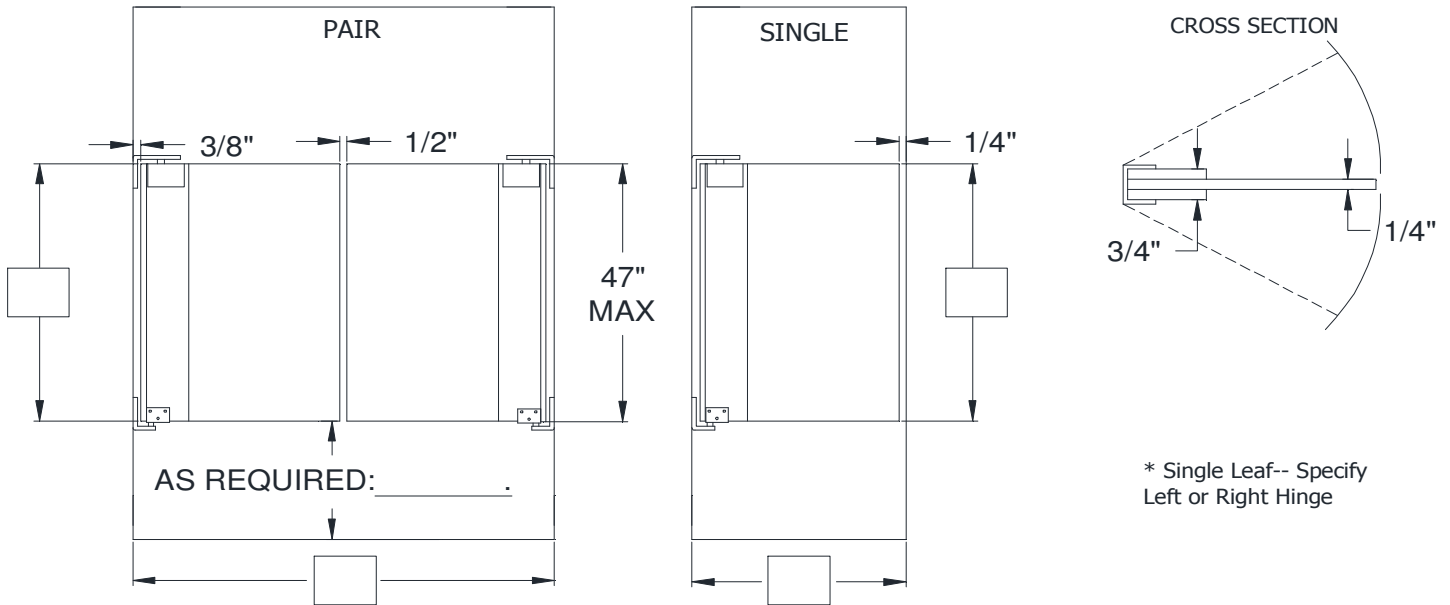
Company Name: _____

Attention: _____

Email: _____

Phone#: _____

Job Name: _____



Fill in Sizing in the Blanks Provided Above

STANDARD SPECIFICATIONS: Door body is one piece 1/4" thick of ABS material textured on the front side only. Jamb edge is reinforced with two pieces (front and back) of 1/4" x 7" ABS material and stainless steel back channel. Door assembly includes the original "NO SPRING" Easy Swing® hinges and both 1/4" - 20 x 1" thread cutting screws and #14 -1-1/2" sheet metal/wood screws for jamb by others. (Minimum cafe/gate height is 24")

INSTALLATION DETAILS: Jambs must be plumb and square. Minimum double 2 x 4 inch wood construction or equivalent. Hollow metal jambs should be reinforced at hinge locations.

SPECIFIC DETAILS FOR DOOR CONSTRUCTION:

DOOR COLOR: [] Medium Brown [] Black [] White [] Red [] Navy [] Beige [] Cloud Gray

OTHER SPECIFICATIONS: _____

APPROVED BY: _____

DATE: _____

Eliaison Corporation