



Gravity Bracket Installation Instructions

STEP 1

Determine mounting location of bracket.

A) If a valance has been provided, the bracket base must be mounted below the valance (See Figure 1-A).

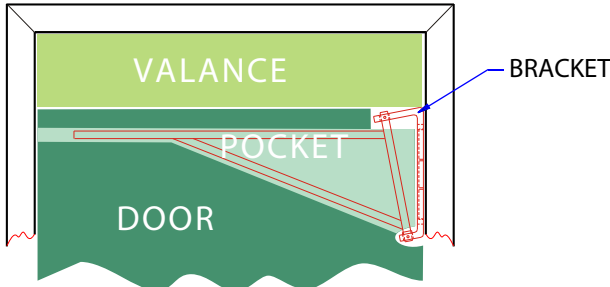


Figure 1-A

B) If the bracket pocket on door has been lowered, then the base of the bracket must also be lowered the same distance (See Figure 1-B). Example: If the bracket pocket has been lowered 2", then the bracket must be mounted an equal distance down from the header (See Figure 1-B).

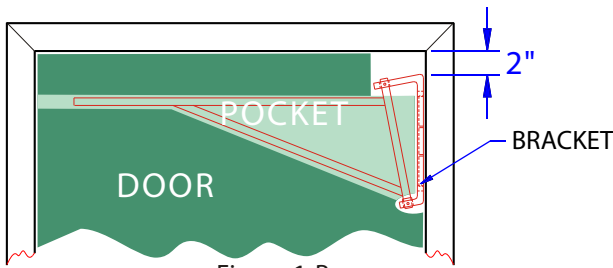


Figure 1-B

STEP 2

Verify that the frame is Plumb & Square. If not, it may be necessary to place shims between the base of the bracket and the jamb, (See Figure 2).

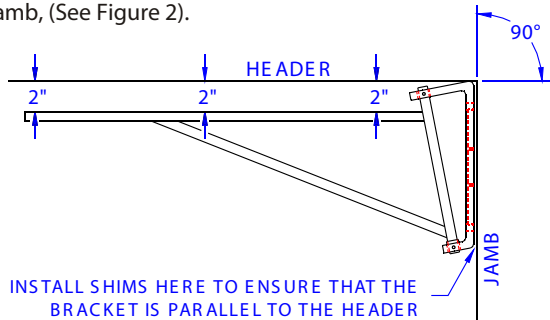


Figure 2

IMPORTANT:

When installing Eliason Gravity Brackets, make sure that the dimensions from the top of the bracket to the header is 2". Install shim washers between the lower bracket and the wall jamb if necessary to ensure the bracket is parallel to the header.

After installing doors, check to see that the door hangs square in the opening. If the door panel sags, install additional shims under the lower portion of the hinge until the panel is square in the opening. 4 shim washers are provided with each hinge. If additional shims are required, use 3/8" flat washers as needed.

STEP 3

Eliason Gravity Brackets are designed to be mounted in the center of the door frame.

Openings with door frames wider than 16", or applications where the brackets will be mounted more than 8" from one side of the frame will require lowered bracket pockets or valances, refer to Figures 1 A & B.

Once the location of the bracket has been determined, hold the bracket base firmly against the jamb and mark one of the top mounting holes.

Drill and Tap, or Lag securely to the jamb using the hardware provided.

Move the base of the bracket until the bracket arms are in a straight line at the center and mark the remaining holes.

STEP 4

Remove bracket and drill (and tap if necessary) the remaining holes.

STEP 5

Replace bracket and securely fasten to door jambs.

STEP 6

Slide door into place by sliding bracket arm into bracket pocket. Wrap mounting flap around the vertical post on the bracket arm and secure into place with the turn-buckles (or Velcro Strips) provided on the bracket.

Additional Bracket Attachment Options

