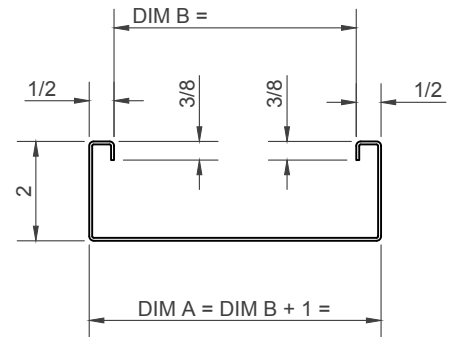


**Drywall Strap Anchor Detail**



**ELEVATION**

**FRAME SPECIFICATIONS**

**Finished Opening Size**

Finish Opening Width =  
 Finish Opening Height =

**Rough Opening Size**

finish opening width + 4 1/2" =  
 finish opening height + 2 1/4" =

**Frame Size**

Frame Throat "Dim B":  
 Frame Width "Dim A":

**Frame Material**

- 16 Gauge Steel Prime Painted
- 16 Gauge Steel Powder Coated
- 16 Gauge Stainless Steel

**Frame Construction**

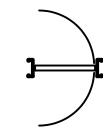
Welded Corners

**Unit(s) Required:**

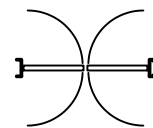
**Door Model #:**

**Misc Notes:**

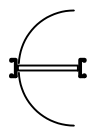
**DOOR SWINGS**



Single "Left Hand"



Double



Single "Right Hand"

Sales Side

MODEL # HOLLOW METAL FRAME – DRYWALL, STRAP ANCHORS – DOUBLE ACTING TRAFFIC DOORS



ELIASON®

PH: 800-828-3655  
 FX: 800-828-3577

www.eliasoncorp.com

CUSTOMER INFORMATION:

DATE: 9/12/18 APPROVAL

FORM # SD4690

REV. A