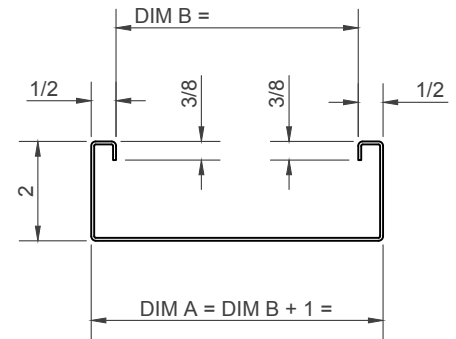


**Masonry Existing
Opening Anchor Detail**



ELEVATION

FRAME SPECIFICATIONS

Finished Opening Size

Finish Opening Width =
Finish Opening Height =

Rough Opening Size

finish opening width + 4 1/2" =
finish opening height + 2 1/4" =

Frame Size

Frame Throat "Dim B":
Frame Width "Dim A":

Frame Material

- 16 Gauge Steel Prime Painted
- 16 Gauge Steel Powder Coated
- 16 Gauge Stainless Steel

Frame Construction

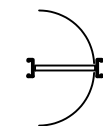
- Knock Down Corners
- Welded Corners

Unit(s) Required:

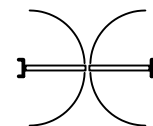
Door Model #:

Misc Notes:

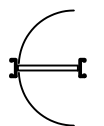
DOOR SWINGS



Single
"Left Hand"



Double



Single
"Right Hand"

Sales Side

MODEL # HOLLOW METAL FRAME – EXISTING OPENING
MASONRY, DOUBLE ACTING TRAFFIC DOORS



ELIASON®

PH: 800-828-3655
FX: 800-828-3577

www.eliasoncorp.com

CUSTOMER INFORMATION:

DATE: 9/12/18 APPROVAL

FORM # SD4687

REV.
B