

SPEC SHEET EHH-3

Quote/Order# _____

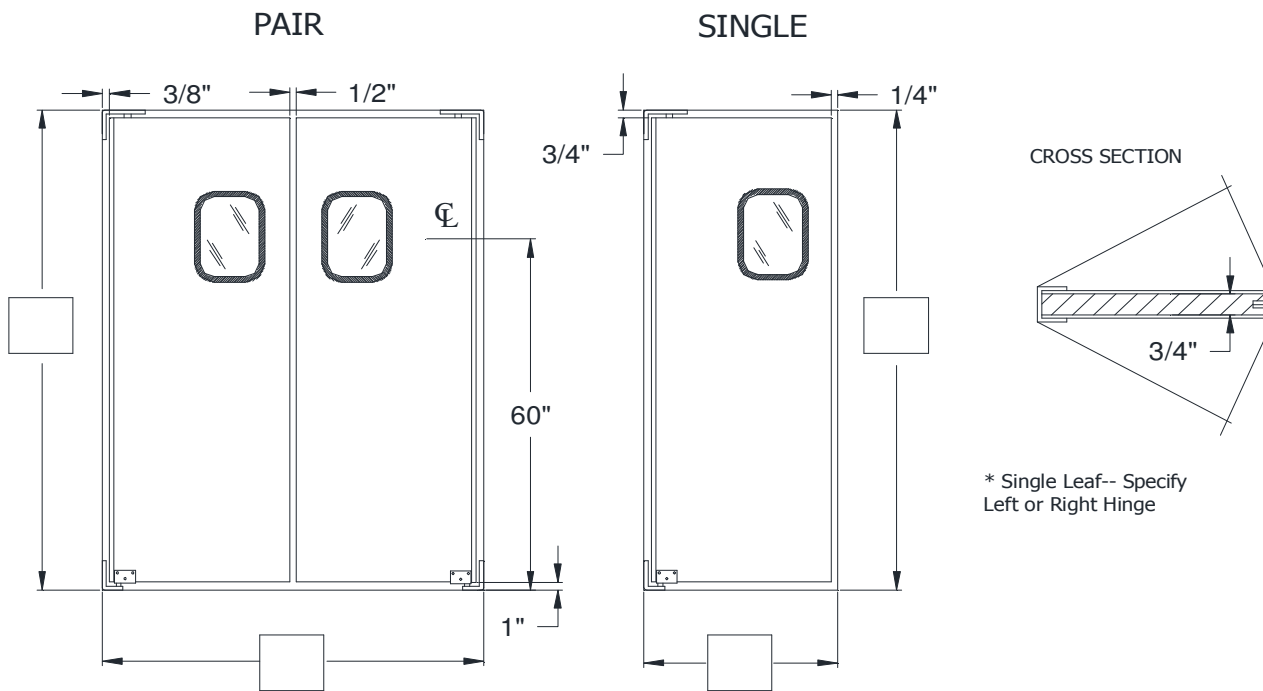
Company Name: _____

Attention: _____

Email: _____

Phone#: _____

Job Name: _____



Fill in Opening Size in the Blanks Provided Above

STANDARD SPECIFICATIONS: Door body 3/4" exterior grade solid wood core with 20GA. stainless steel panels on both sides. 9" x 14" Flush window. Door assembly includes the original "HIDDEN HARDWARE" Eliason Swing® hinges and both 1/4" - 20 x 1" thread cutting screws and #14-1-1/2" sheet metal/wood screws for jamb by others.

INSTALLATION DETAILS: Jamb must be plumb and square. Minimum double 2 x 4 inch wood construction or equivalent. Hollow metal jamb should be reinforced at hinge locations.

SPECIFIC DETAILS FOR DOOR CONSTRUCTION:

DOOR FINISH: Stainless Steel Other: _____.

WINDOW: Standard 9" X 14" Flush Window, Up 60" to Center of Window from Floor
 Other: _____

PLATE: Specify Height: _____
 Color/Material: Stainless Steel Galvanized Steel Black ABS Other _____.

BUMPER: Standard Black Tear Drop Polyethylene, Height: 12 18 24 30 36 42
 Aluminum Bumper Strip:

OTHER SPECIFICATIONS: _____.

APPROVED BY: _____

DATE: _____