

The new RMR 1500 is innovative,
durable and practical.



INTRODUCING THE RMR-1500 TRAFFIC DOOR FROM ELIASON®

The RMR-1500 double acting traffic door is the latest innovation from Eliason Corporation and combines two great pieces of technology into one very tough and attractive door. The 1.5" thick monolithic door panel is rotationally molded with an outer skin thickness of .188" and the core is foamed-in-place with CFC-free urethane foam, which provides excellent insulation properties. But that's not the best part. This attractive and durable door panel operates on the time-tested Eliason Easy Swing hinge system, which is easy to install, requires virtually no maintenance and meets ADA requirements for passage. With all of these outstanding features, the RMR-1500 is the easy choice for your retail, walk-in cooler and light industrial applications.



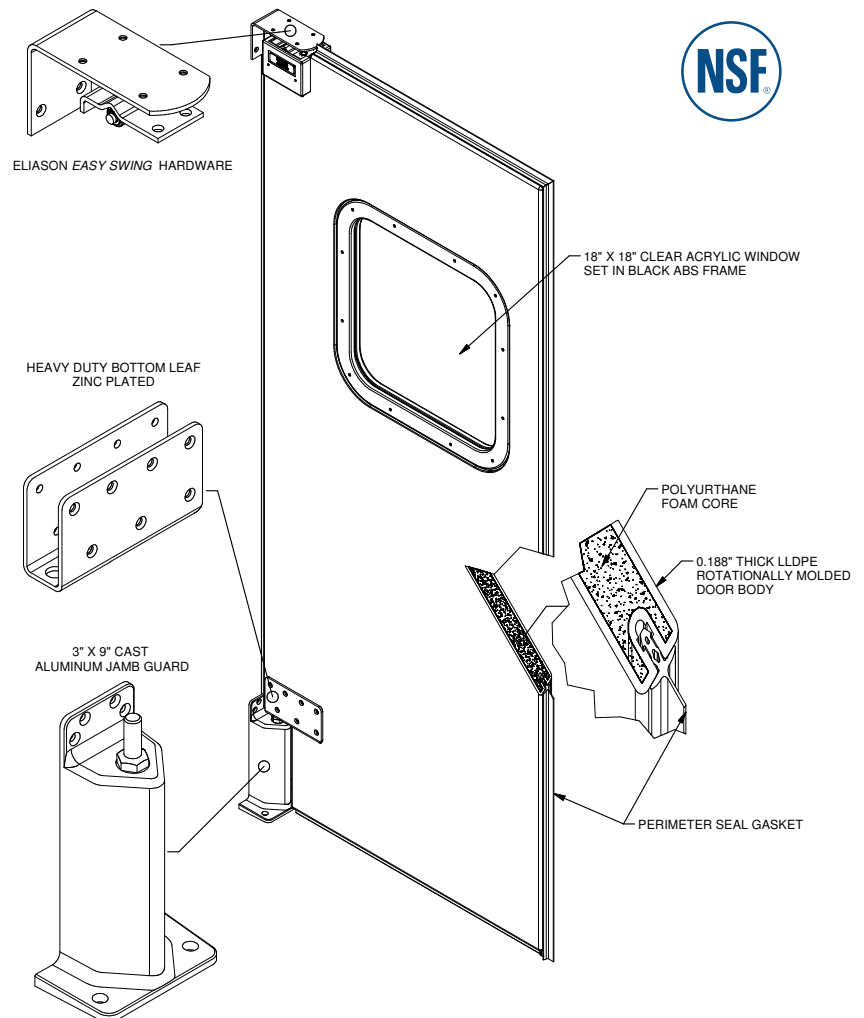
ELIASON®

The Eliason RMR-1500 Traffic Door

product **features**
& specifications

The Best of Both Worlds

- The engineers at Eliason have done it again. They have combined the best attributes of a lightweight, monolithic door panel with the benefits of the Easy Swing Hinge system. The result is a durable, attractive door panel that is easy to open, closes automatically, possesses outstanding insulating characteristics, requires virtually no maintenance and is ADA compliant.
- The RMR-1500 is loaded with standard features, including monolithic construction, 18" high Easy Spring Bumpers, 3" X 9" jamb guards, Eliason Easy Swing Hinges and an 18" X 18" clear acrylic vision panel mounted in a two-piece black molded window frame.
- Your investment in the Eliason RMR-1500 brings you the most significant development to hit the double-acting traffic door industry in years. You can count on the RMR-1500 to provide years of trouble-free service. After all, it has the Eliason name and the industry's best warranty behind it.
- Like all Eliason double-acting traffic doors, the RMR-1500 is backed by our industry-best Five Year Warranty against defects in materials and workmanship.



Specifications

DOOR BODY:

Rotationally molded, monolithic door panel with CFC-free foam core and full perimeter gaskets. 1.5" total door thickness. Polyethylene door skin is .188" thick.

WINDOWS:

18"x18" high-impact polycarbonate set in two-piece black molded window frame.

HINGES:

Eliason Easy Swing Hinging System.

EASY SPRING BUMPERS:

18" high, both sides of each door panel.

JAMB GUARDS:

3" x 9"

Available Colors:



In our continuing effort to improve our products, some specifications or descriptions may change. We reserve the right to make such changes without notice or recourse.



Over 50 Years Strong • www.eliasoncorp.com • (800) 828-3655
CORPORATE HEADQUARTERS 9229 SHAVER ROAD, KALAMAZOO, MI 49024 • FAX (800) 828-3577